

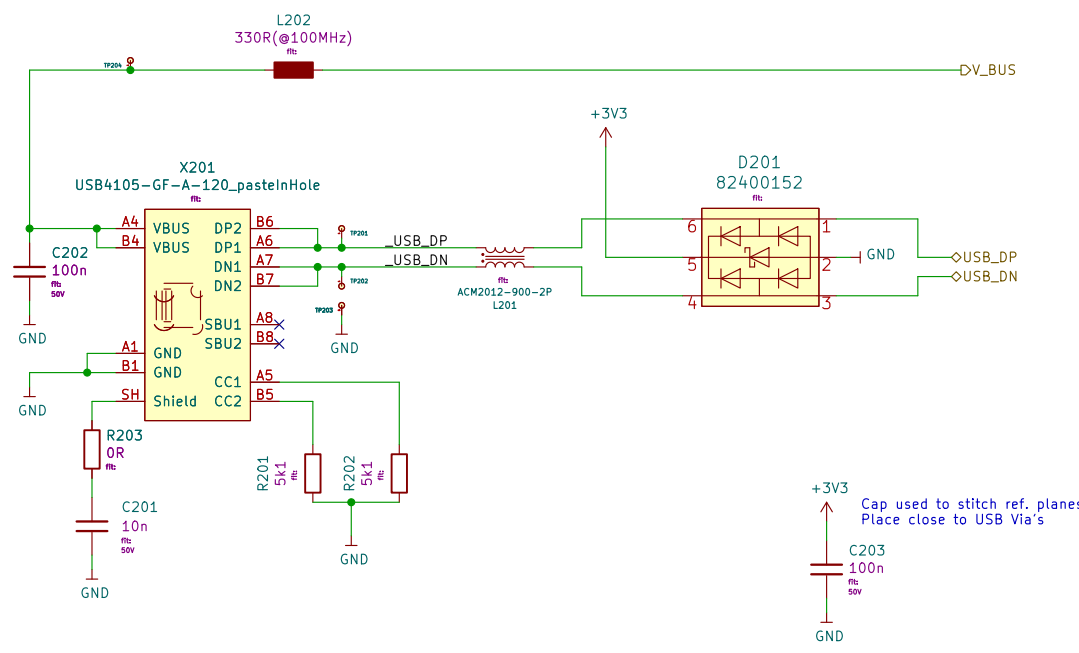
Variants:
V01: First manufacturing step. SMD
V02: Parts included in kit. THT+Case

Power Consumption
- AX88772B: 110.1mA
 1.8V: 78.2mA
 3.3V: 31.9mA
- M93C66: 2mA
- DP83TD510E: 39mA
- LEDs: 4*1mA

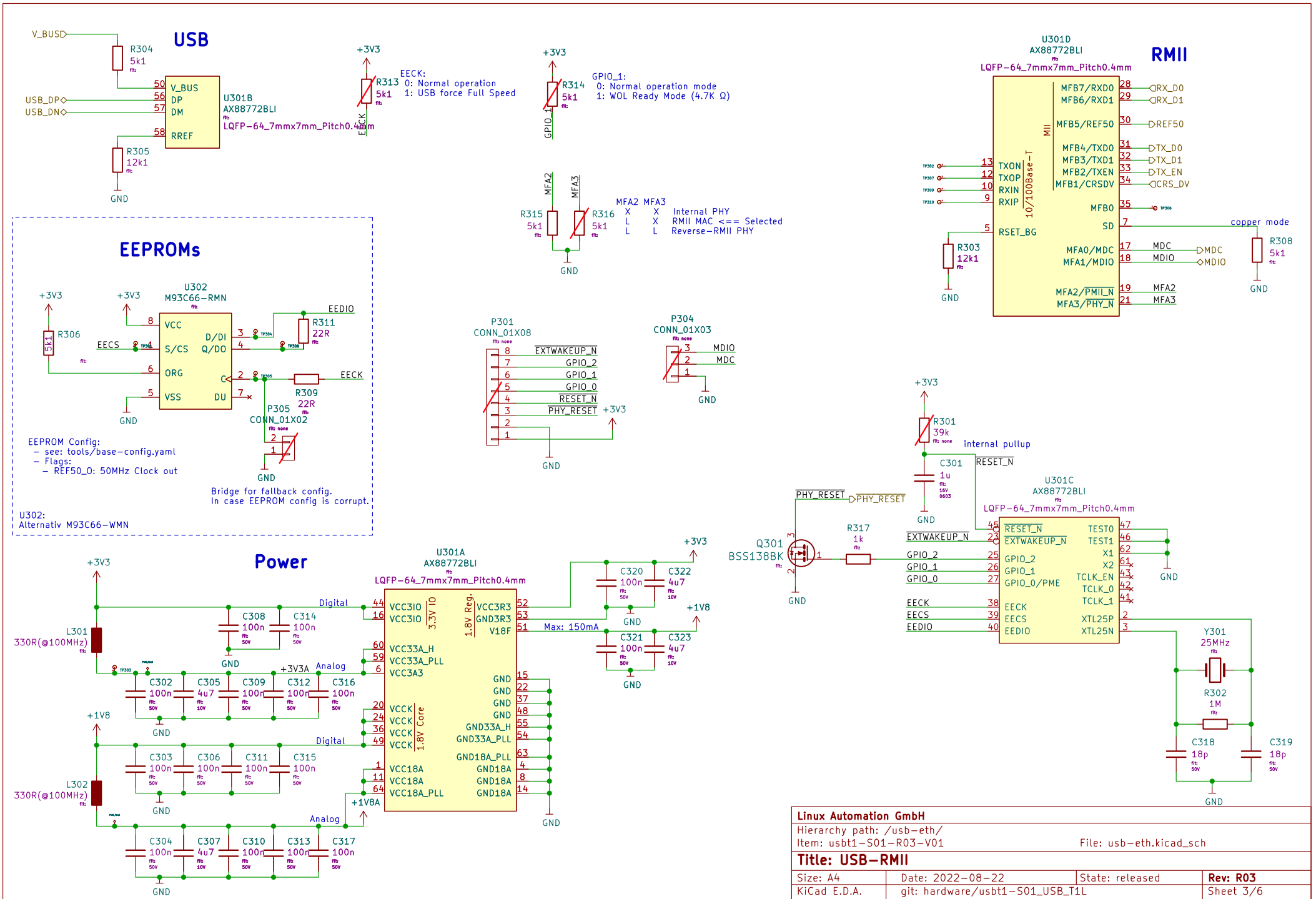
Sum: 160mA

- NB101 LAG_Rocket file: V02
- NB102 MOUNTING_HOLE_M3 file: V02
- NB107 Passermarke_1mm_1.8mmx1.8mm file: V02
- NB110 Passermarke_1mm_1.8mmx1.8mm file: V02
- NB106 LAYERSTACK_TMMB file: V02
- NB103 MOUNTING_HOLE_M3 file: V02
- NB108 Passermarke_1mm_1.8mmx1.8mm file: V02
- NB111 Passermarke_1mm_1.8mmx1.8mm file: V02
- H101 333-34003_70mm file: V02
- NB104 MOUNTING_HOLE_M3 file: V02
- NB109 Passermarke_1mm_1.8mmx1.8mm file: V02
- NB112 Passermarke_1mm_1.8mmx1.8mm file: V02
- NB105 MOUNTING_HOLE_M3 file: V02

Linux Automation GmbH			
Hierarchy path: /		File: usbt1-S01_USB_T1L.kicad_sch	
Title: USBT1 USB T1L Adapter			
Size: A4	Date: 2022-08-22	State: released	Rev: R03
KiCad E.D.A.	git: hardware/usbt1-S01_USB_T1L		Sheet 1/6



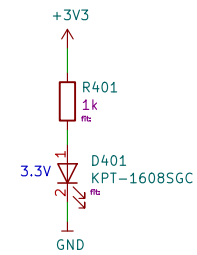
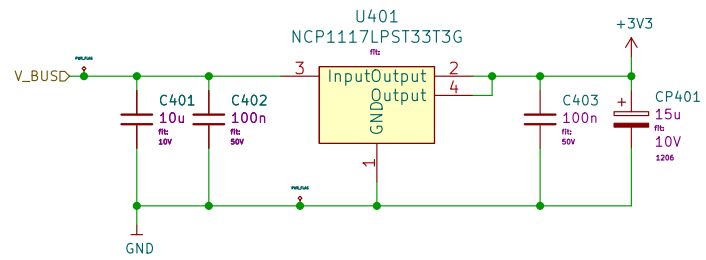
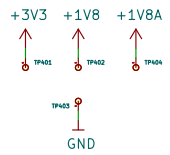
Linux Automation GmbH			
Hierarchy path: /USB-C/		Item: usbt1-S01-R03-V01	
		File: USB-C.kicad_sch	
Title: USB-C Socket			
Size: A4	Date: 2022-08-22	State: released	Rev: R03
KiCad E.D.A.	git: hardware/usbt1-S01_USB_T1L		Sheet 2/6



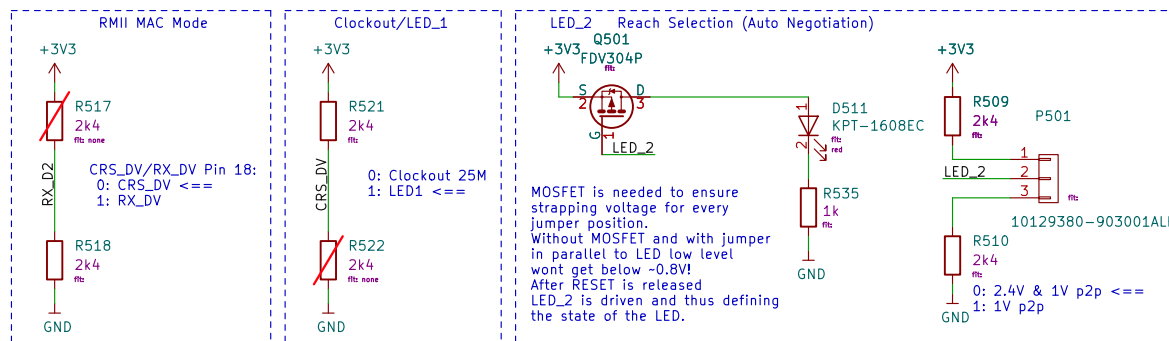
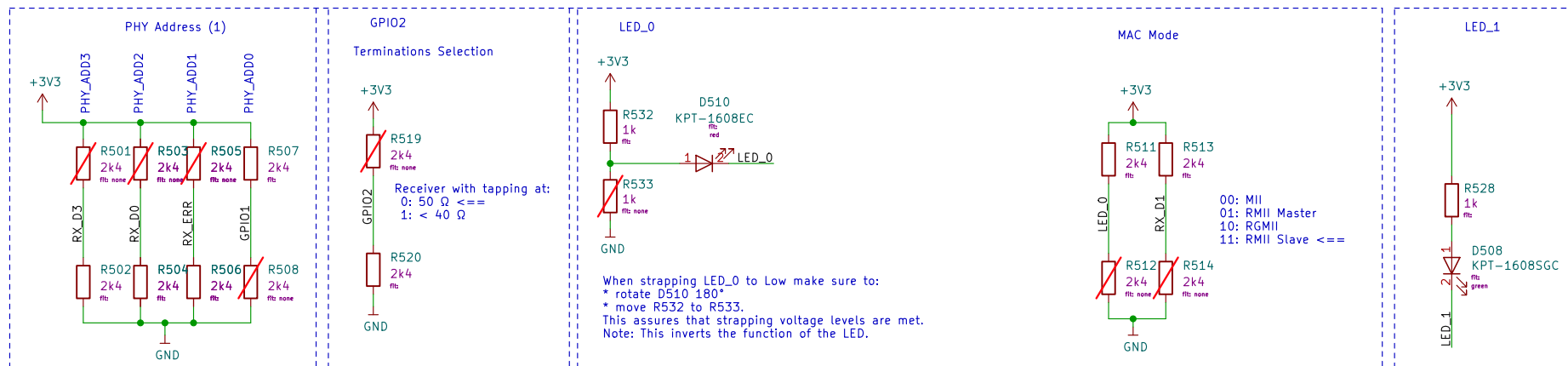
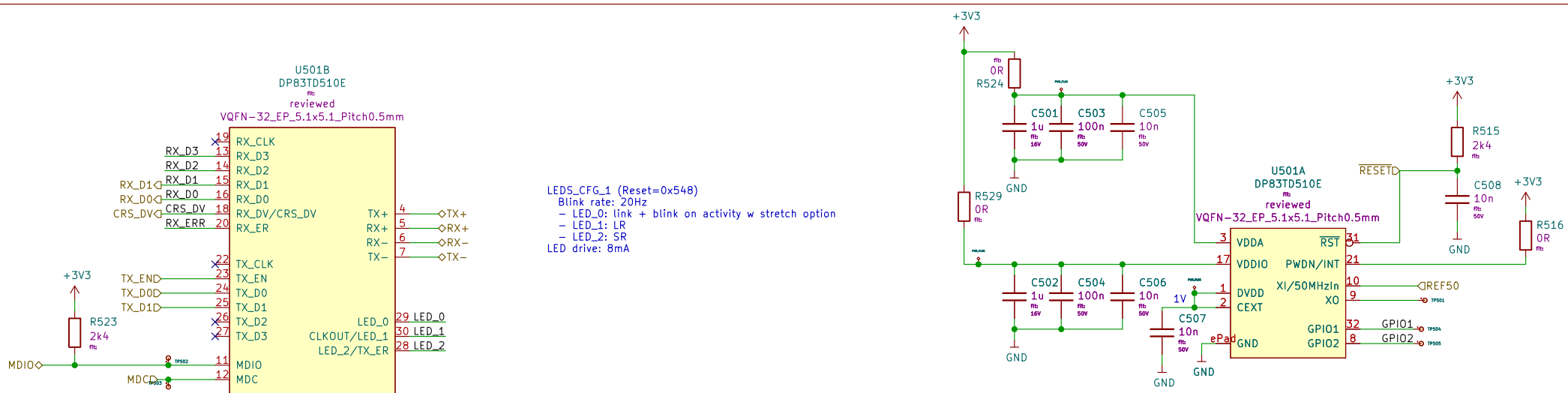
Linux Automation GmbH			
Hierarchy path: /usb-eth/ Item: usbt1-S01-R03-V01			
Title: USB-RMII		File: usb-eth.kicad_sch	
Size: A4	Date: 2022-08-22	State: released	Rev: R03
KiCad E.D.A.	git: hardware/usbt1-S01_USB_T1L		Sheet 3/6

Test points

1.8V regulator is in AX88772 on usb-eth sheet



Linux Automation GmbH			
Hierarchy path: /power/		File: power.kicad_sch	
Item: usbt1-S01-R03-V01			
Title: Power			
Size: A4	Date: 2022-08-22	State: released	Rev: R03
KiCad E.D.A.	git: hardware/usbt1-S01_USB_T1L		Sheet 4/6



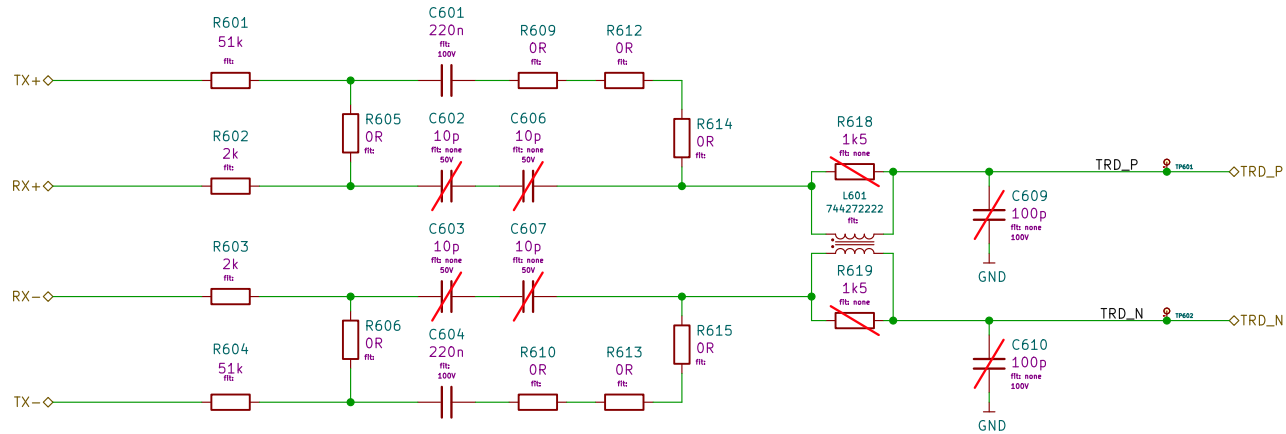
LEDs are active Low after reset.

Strapping voltages:
Low: < 0.6V
High: > 1.6V
(for VCC 1.8 .. 3.3V)

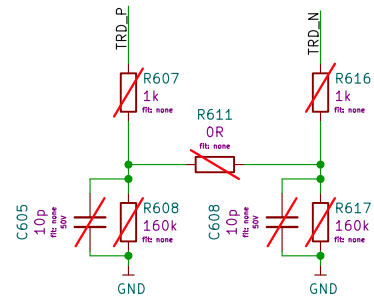
JP501
Jumper
Place JP501 on P501

Linux Automation GmbH			
Hierarchy path: /rmii-t1l/		Item: usbt1-S01-R03-V01	
Title: T1L-Phy		File: rmii-t1l.kicad_sch	
Size: A4	Date: 2022-08-22	State: released	Rev: R03
KiCad E.D.A.	git: hardware/usbt1-S01_USB_T1L		Sheet 5/6

Current placement:
Non-Intrinsic Safe



Optional EMI filtering



Linux Automation GmbH			
Hierarchy path: /CDN/		File: CDN.kicad_sch	
Item: usbt1-S01-R03-V01			
Title: CDN			
Size: A4	Date: 2022-08-22	State: released	Rev: R03
KiCad E.D.A.	git: hardware/usbt1-S01_USB_T1L		Sheet 6/6